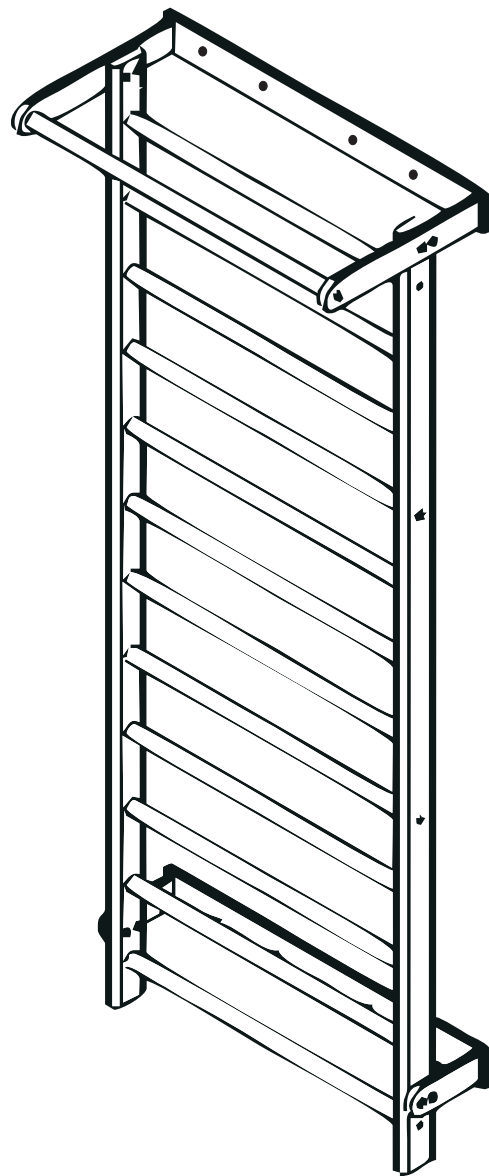


Code
W15145



STALL BARS



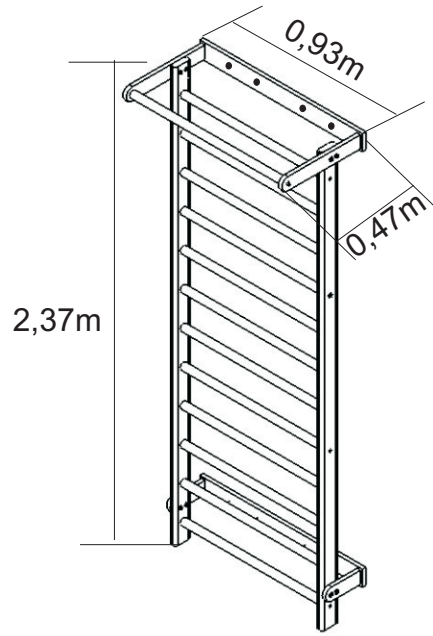
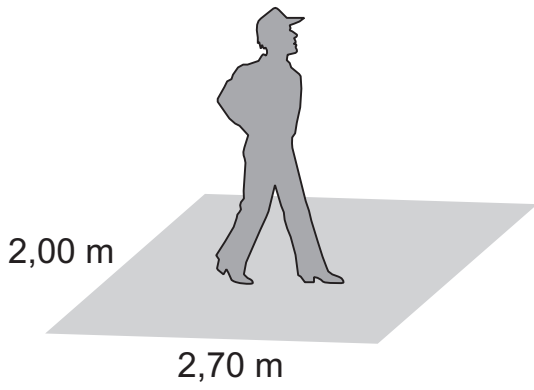
INTERNATIONAL DISTRIBUTOR

3B Scientific GmbH, Hamburg

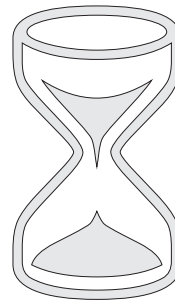
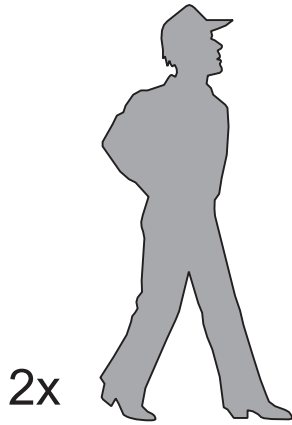
Rudorffweg 8

21031 Hamburg

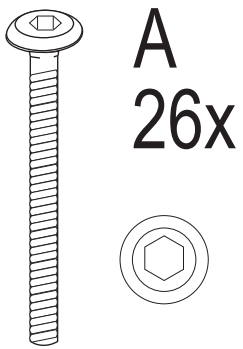
www.3bscientific.com



Weight 15 Kg

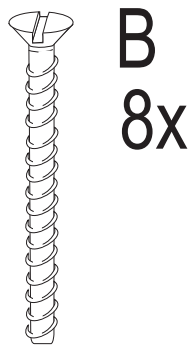


30 min.



Ø10 mm Ø1/4 x 50 mm

A
26x



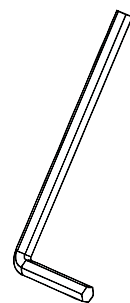
4,5x75 mm

B
8x

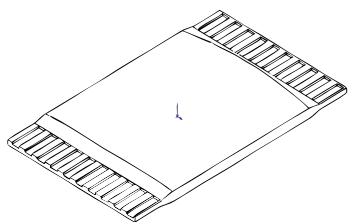


N° 8

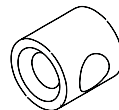
C
8x



D
1x

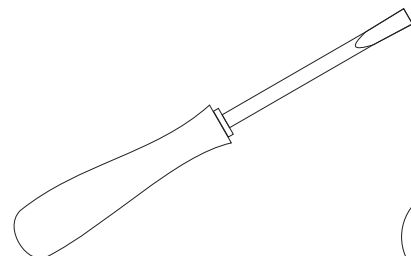


E
3x

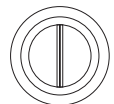


Ø1/4"

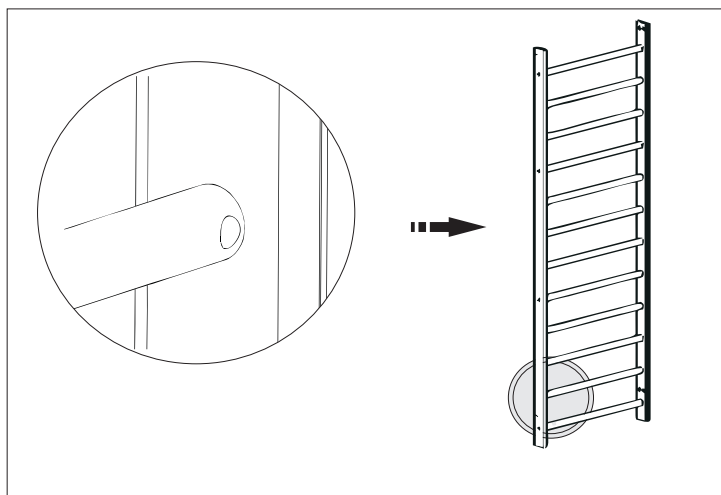
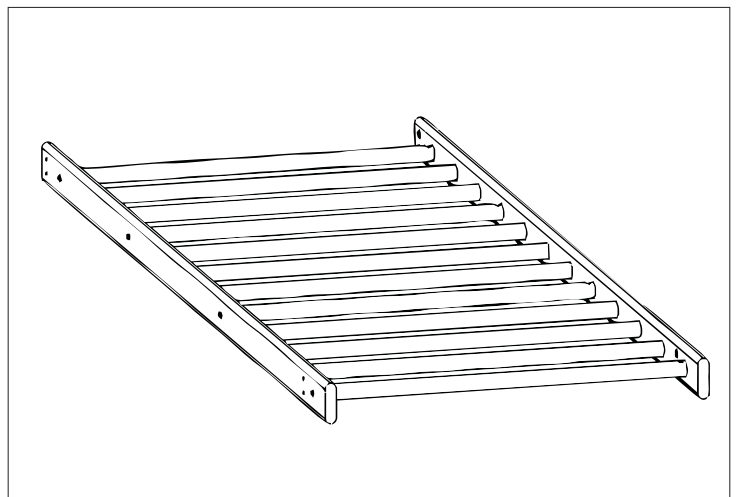
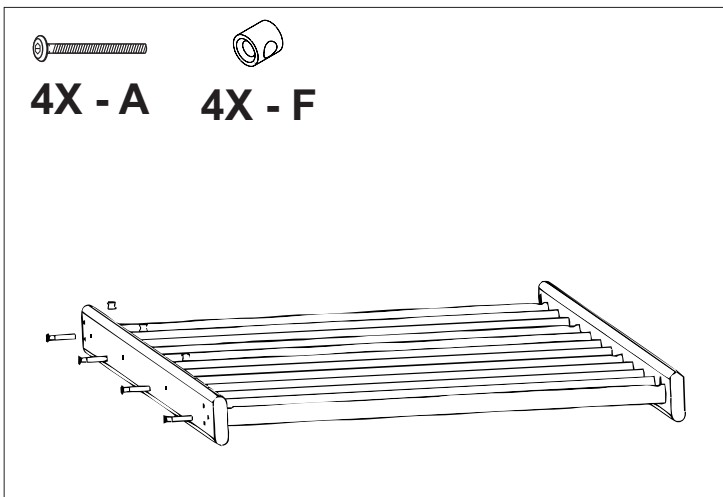
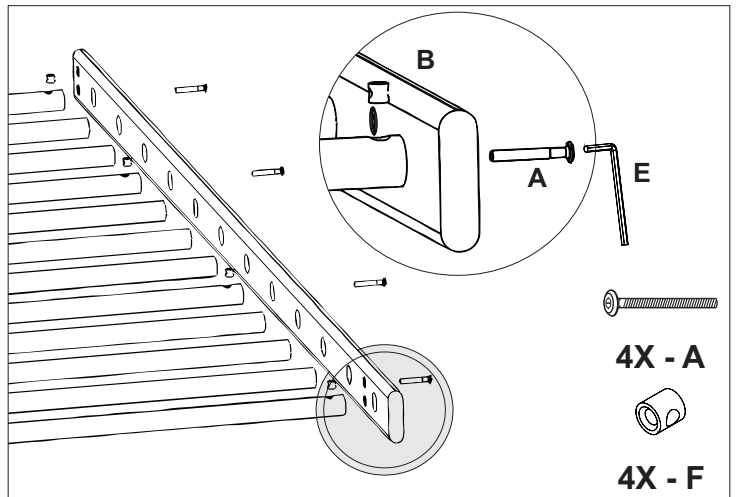
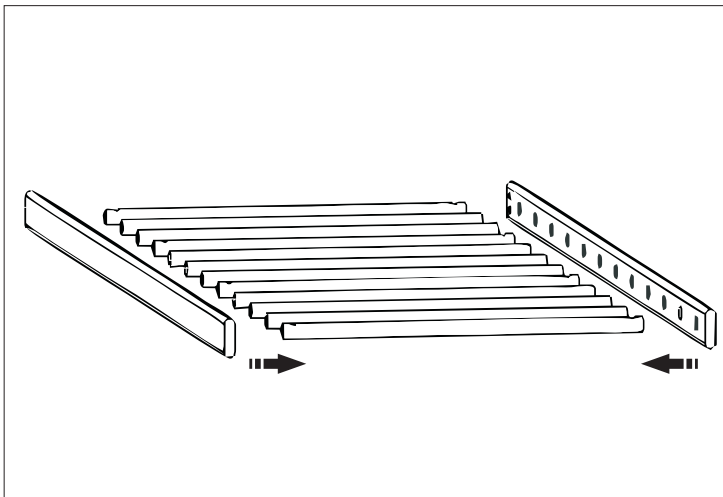
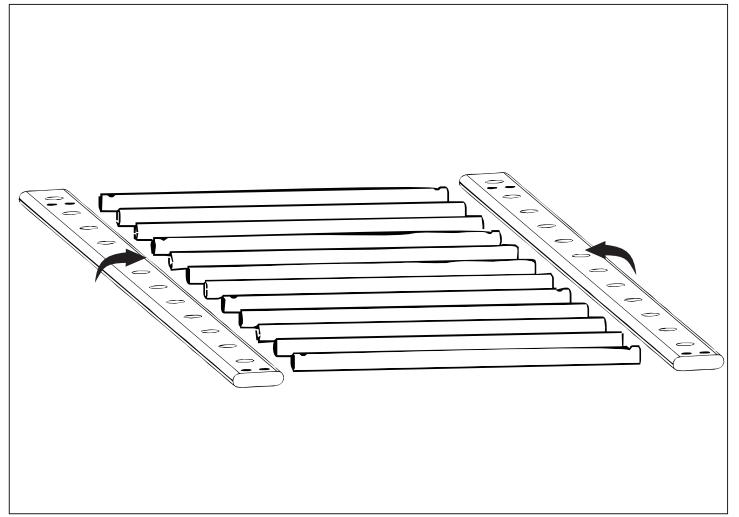
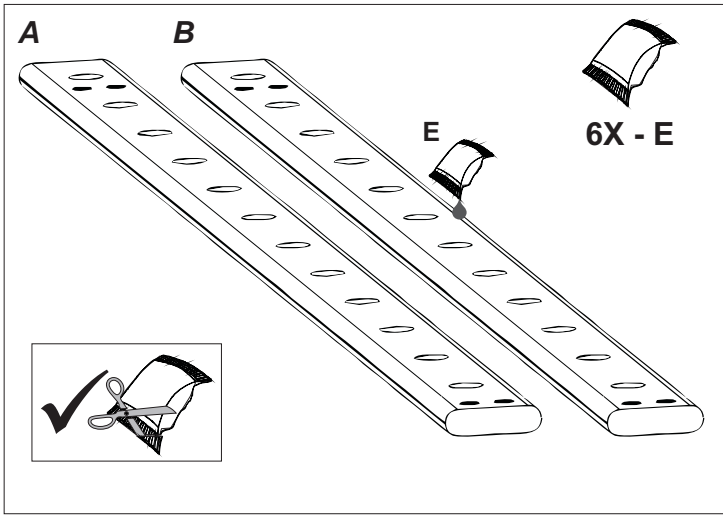
F
18x



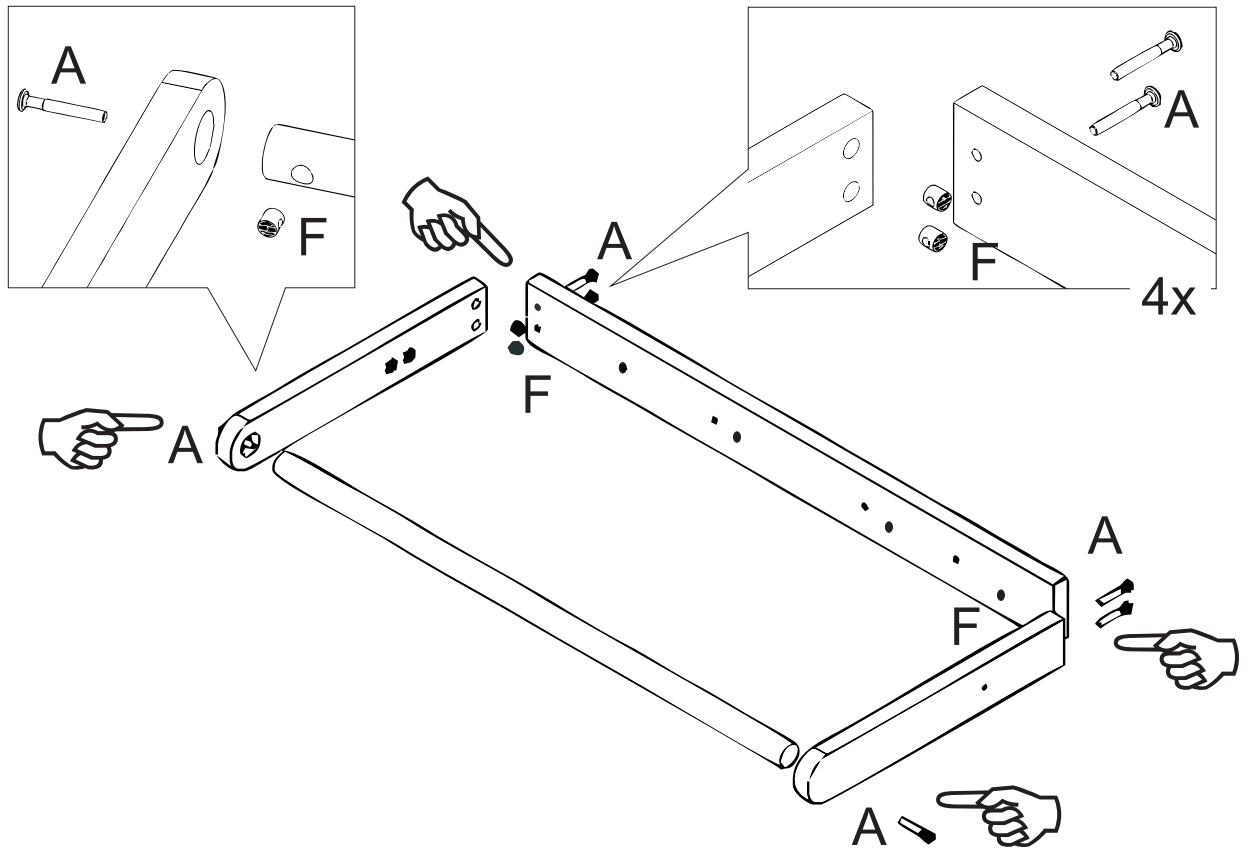
G*
1x



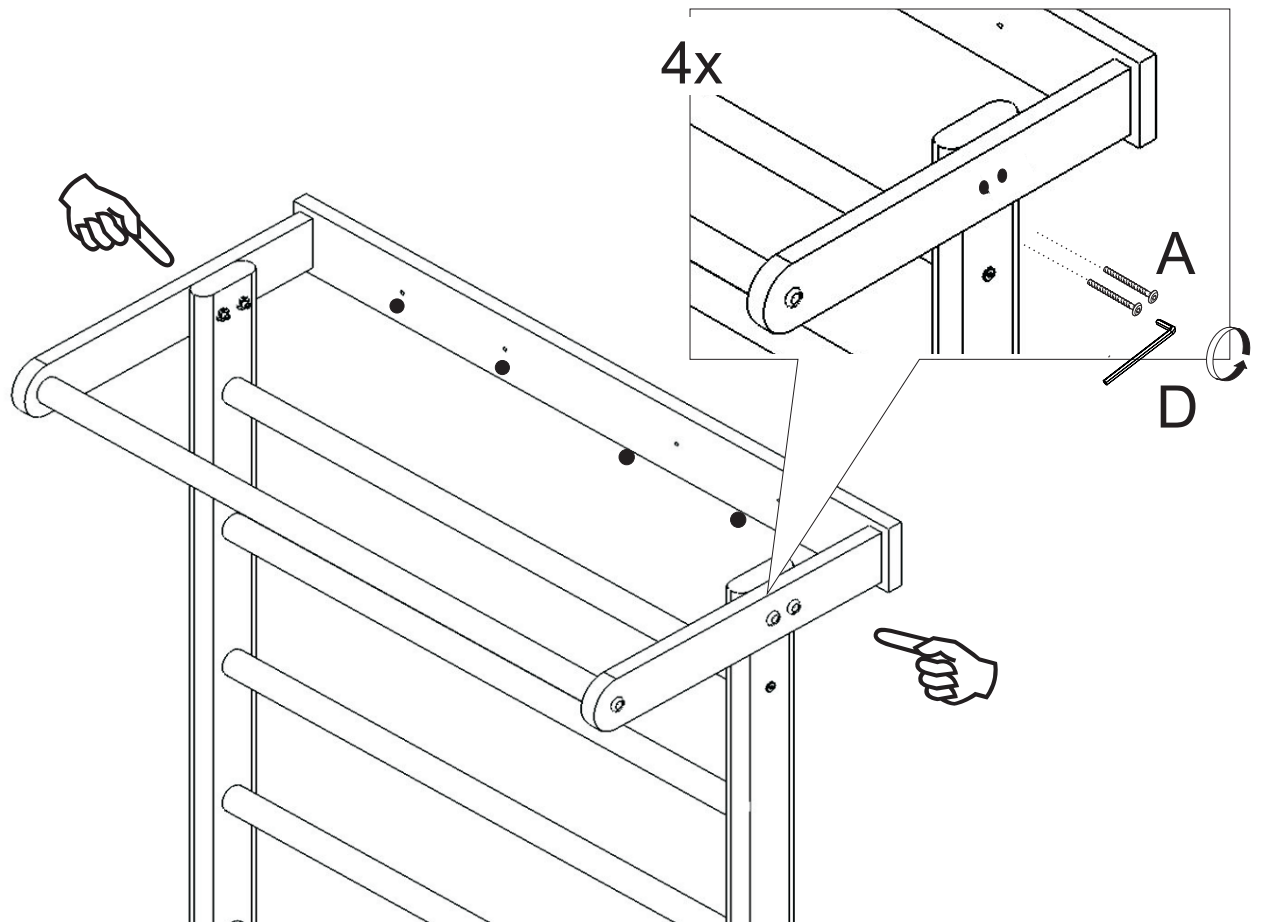
*The screwdriver do not accompany the product



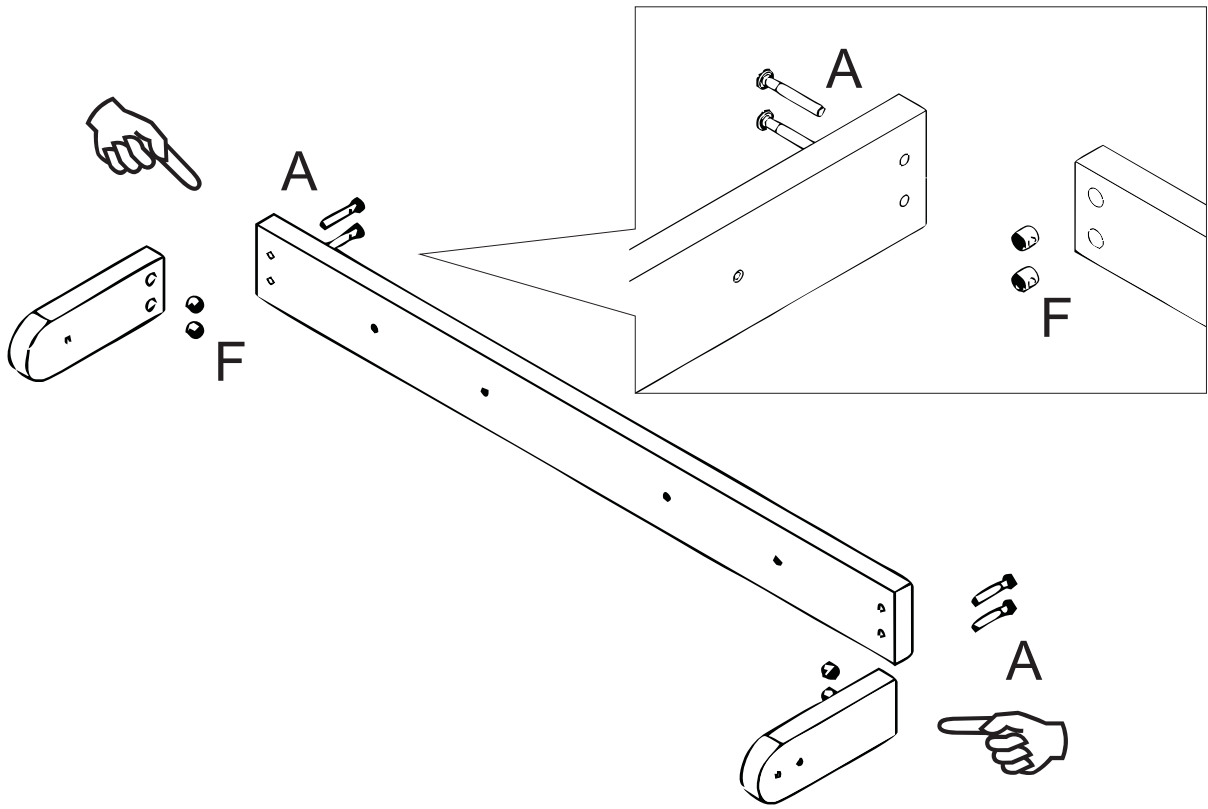
03



04



05



06

